

Q-Series

MODEL Q-12A LOUDSPEAKER

For Installations Requiring:

- Clear Voice Announcements
- Full Range Music Reproduction
- High Sound Pressure Levels

Features:

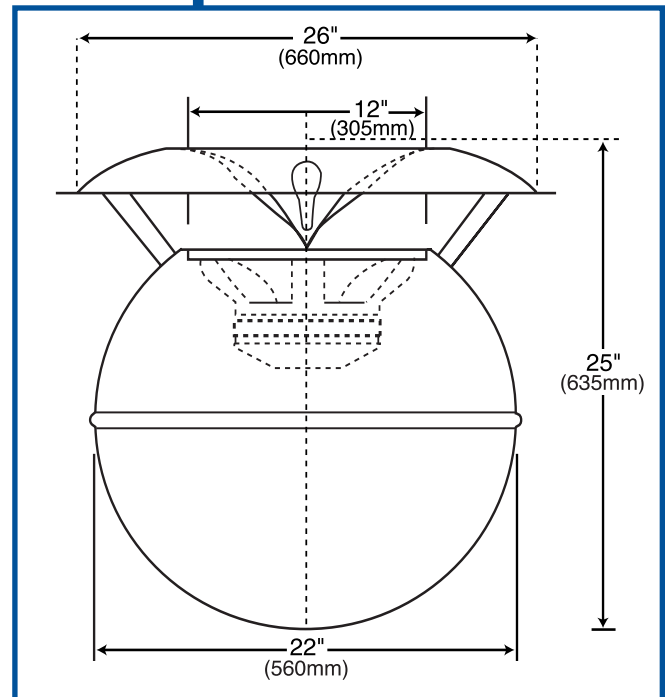
- Hemispherical coverage pattern
- Accurate, full range voice announcements
- Enhanced high fidelity music reproduction
- High sensitivity (97dB 1W/1m)
- High SPL capability (121dB 250W/1m)
- Exclusive Patent Pending, Poly-exponential Incidence Reflector
- Hanging or surface mount
- Standard and custom colors available

Applications:

- **Gymnasiums**
- **Ice Rinks**
- **Arenas**
- **Churches**
- **Swimming Pools**
- **Transportation Terminals**
- **Factories**
- **Open Public Areas**
- **Bars/Nightclubs**
- **Applications where clear voice announcements and high fidelity foreground music at high sound pressure levels are required**

Specifications:

Sensitivity	97dB 1 Watt/1 meter
Maximum SPL	121dB 250 Watts/1 meter
Power Handling	250 Watts RMS
Frequency Response	60Hz-16kHz ±6dB
Coverage	180° vertical 360° horizontal
Rated Impedance	8 ohms
Weight	39 lbs. (17.6 kg)
Size	Height: 25" (635mm) Sphere Diameter: 22" (560mm) Reflector Diameter: 26" (660mm)
Driver	12 inch true coaxial (LF and HF share common magnetic circuit)
Material	Enclosure and reflector are fiberglass with gelcoat finish; rust resistant hardware



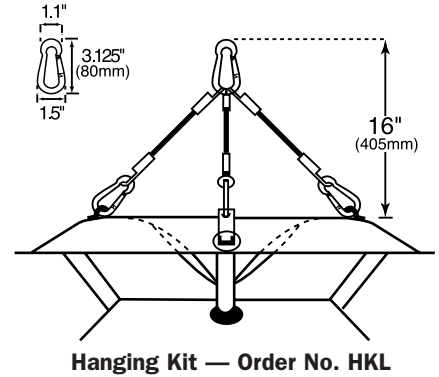
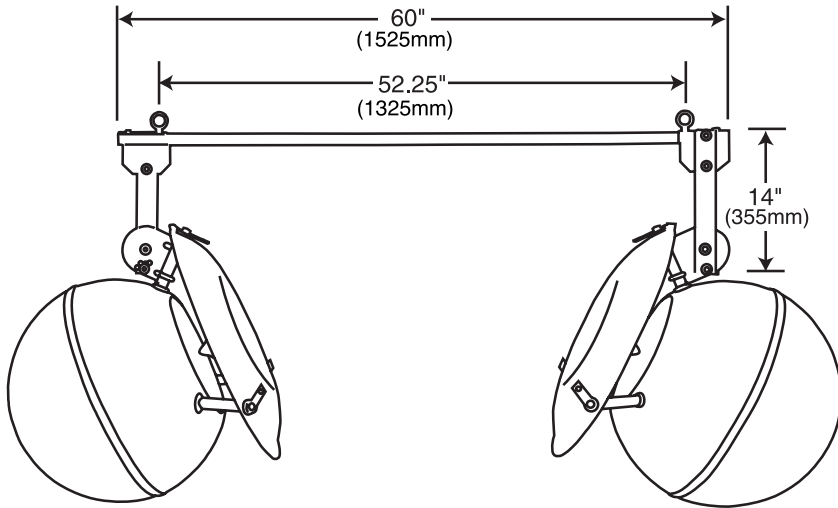
SOUNDSPHERE®

Division of Sonic Systems, Inc

10 Research Drive, Stratford, CT 06615
(203) 386-9200 • Fax: (203) 386-0773 • Web: www.soundsphere.com

Log on to www.soundsphere.com
for system design guides,
EASE data and detailed
product information.

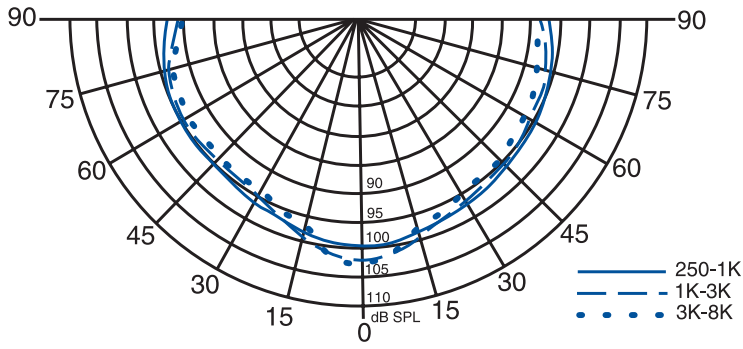
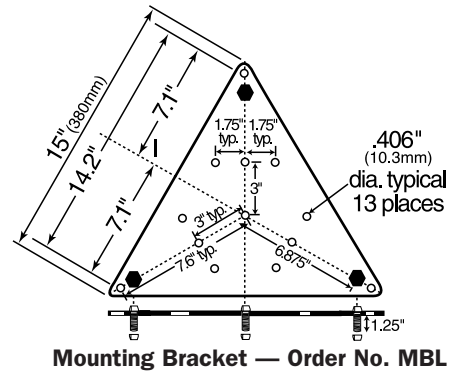
Accessories



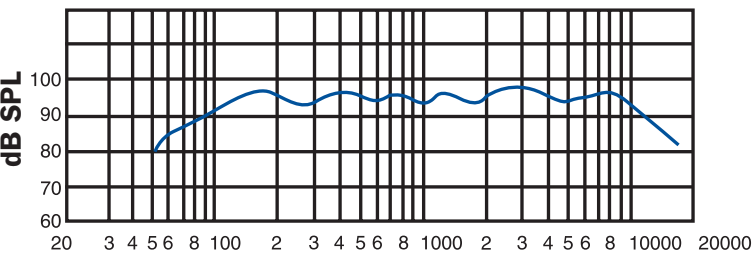
Model

Description

- BK-2 Combines 2 Model Q-12A loudspeakers
- BK-3 (not shown) Combines 2 Model Q-12A and 1 Model Q-SB2 sub-bass loudspeaker
- BK-4 (not shown) Combines 4 Model Q-12A loudspeakers
- BK-5 (not shown) Combines 4 Model Q-12A and 1 Model Q-SB2 sub-bass loudspeaker



Vertical Polar Response



Hemispherical Frequency Response 1W/1m

Line Matching Transformer — Order No. TX-250

The Model TX-250 is a 250 Watt line matching transformer for the Model Q-12A with taps for 70 and 100 Volt constant voltage systems. The TX-250 is designed for factory mounting in the Q-12A reflector. Connection to system wiring is via 6" color coded flying leads. Available taps: 70 Volt: 250, 125, and 62.5 Watts; 100 Volt: 250 and 125 Watts.

Architects and Engineers Specifications

The loudspeaker shall be a self contained, wide frequency range device with a hemispherical coverage pattern. The frequency response shall be 60Hz - 16kHz, ± 6dB; the vertical polar coverage shall be 180° within ± 6dB.

The loudspeaker shall have a minimum sensitivity of 97dB SPL at 1 Watt/1 meter, a continuous power handling capability of 250 Watts RMS, and a rated impedance of 8 ohms.

The loudspeaker driver shall be one 12 inch woofer with coaxial tweeter sharing a common magnetic circuit. The driver shall be mounted in a spherical enclosure made of fiberglass. All hardware shall be stainless steel, plated steel, or aluminum. Optional mounting kits are available; a bracket to mount flat against a ceiling or wall surface, a three element cable hanging kit for single point suspension, or array kits for multiple loudspeaker, single source systems.

The enclosure and reflector color shall be ordered in advance, otherwise white shall be supplied. The loudspeaker shall be comprised of a 26 inch diameter reflector mounted to a 22 inch diameter sphere. The complete loudspeaker shall be 25 inches in overall height and weigh 39 lbs (17.6kg). The loudspeaker shall be the Soundsphere® Model Q12A.

Warranty

Soundsphere™ loudspeakers are warranted against failure or malfunction due to defects in materials or workmanship for a period of five years from date of original purchase. Defective units will be repaired or replaced at our option if delivered prepaid to our factory. Repaired or replaced units will be returned at our expense. Warranty does not cover appearance or damage caused by abuse, misuse, neglect, accident, or exceeding maximum rated power. Warranty does not cover labor costs involved in removing and/or reinstalling the defective unit, nor any liability due to accidents caused by improper installation. Warranty is extended to original purchaser and is not transferable.

